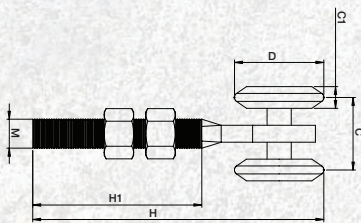


HANGING GATE & DOOR HARDWARE

HANGING GATE/DOOR 2 WHEEL ROLLER SET



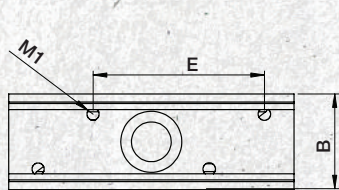
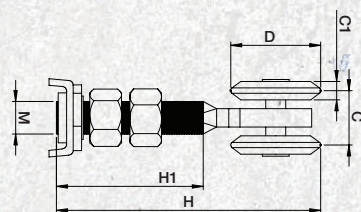
A range of Hanging Gate 2 Wheel Roller Sets with products to fit the **GTR040**, **GTR071**, and **GTR072** Hanging Gate Channels. All of the products in this range feature 2 high quality wheels for smooth operation, and silver zinc plating.

Suitable for use in the installation of hanging door/gate hardware in industrial, commercial, and residential environments.



Wheel Diameter (mm)	Thread	H1 (mm)	H (mm)	C (mm)	Capacity (kg)	Part No.	Related Parts
25	M8	39	71.5	20	70	GTR080	to suit GTR071 Channel
38	M12	68	124	22	130	GTR081	to suit GTR040 Channel
55	M20	87	167	31	350	GTR082	to suit GTR072 Channel

HANGING GATE/DOOR 4 WHEEL ROLLER SET



Hanging Gate 4 Wheel Roller Sets to suit the **GTR040**, **GTR071**, and **GTR072** Gate Channels. These roller sets feature silver zinc plating and high quality wheels.



Wheel Diameter (mm)	Thread	H (mm)	H1 (mm)	C (mm)	Capacity (kg)	Part No.	Related Parts
25	M8	71.5	39	20	130	GTR068	to suit GTR071 Channel
38	M12	124	68	29	190	GTR069	to suit GTR040 Channel
55	M20	167	87	34	460	GTR070	to suit GTR072 Channel

PARTS TO SUIT:

For the installation/use of this product it is necessary to use a compatible Hanging Gate Roller Channel. Hanging Gate Roller Channel Bracket (roof or wall mount) to suit these channels is also available for the installation of these products. Part numbers for the Channel size to suit each roller and brackets to fit the channel size are listed under 'Related Parts' in the above tables.



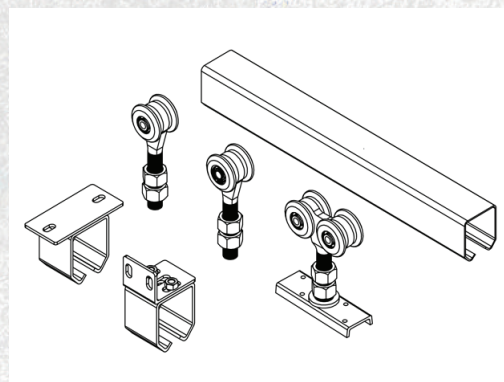
Hanging Gate Roller Channel
GTR071, GTR040, GTR072



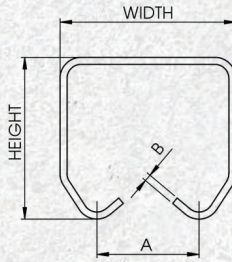
Hanging Gate Roller Channel Bracket (Wall Mount)
GTR073, GTR042, GTR076



Hanging Gate Roller Channel Bracket (Roof Mount)
GTR075, GTR041, GTR076



HANGING GATE/DOOR CHANNEL



A range of Hanging Gate Channels to suit our range of Hanging Gate 2 Wheel Roller Sets, Hanging Gate 4 Wheel Roller Sets, and Hanging Gate Channel Brackets (both roof and wall mount).

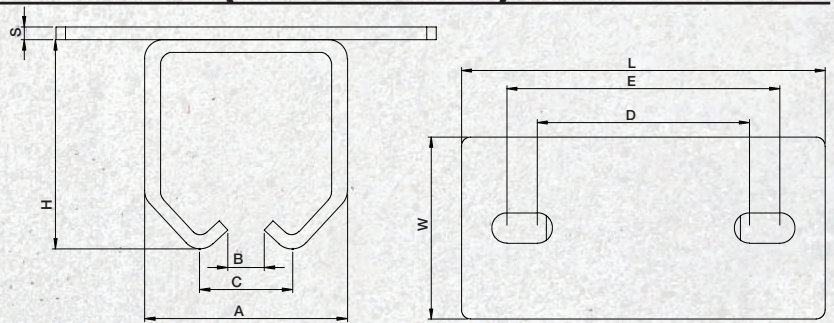
Suitable for use in the installation of hanging door/gate hardware in industrial, commercial, and residential environments.

Length	A (mm)	B (mm)	Height (mm)	Width (mm)	Fits Hanging Channel Bracket (Roof Mount)	Fits Hanging Channel Bracket (Wall Mount)	Part No.
5.8 metres	20	1.5	32	35	GTR075	GTR073	GTR071
5.8 metres	29	2	46	50	GTR041	GTR042	GTR040
5.8 metres	34	2	67	60	GTR076	GTR074	GTR072

HANGING GATE/DOOR CHANNEL BRACKET (ROOF MOUNT)



Hanging Gate Roof Mount Channel Brackets to suit the **GTR040**, **GTR071**, and **GTR072** Gate Channels.

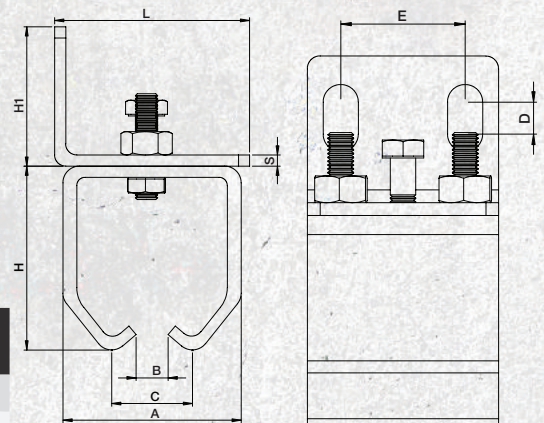


A (mm)	B (mm)	C (mm)	H (mm)	L (mm)	Channel to Suit	Part No.
52	7	20	48	110	Suits GTR071	GTR075
71	11.5	29	71	120	Suits GTR040	GTR041
120	14	34	86	130	Suits GTR072	GTR076

HANGING GATE/DOOR CHANNEL BRACKET (WALL MOUNT)



Hanging Gate Wall Mount Channel Brackets to suit the **GTR040**, **GTR071**, and **GTR072** Gate Channels.



A (mm)	B (mm)	C (mm)	H (mm)	H1 (mm)	L (mm)	Channel to Suit	Part No.
46	7	20	50	50	60	Suits GTR071	GTR073
62	11.5	29	64	50	70	Suits GTR040	GTR042
71	14	34	85	50	80	Suits GTR072	GTR074