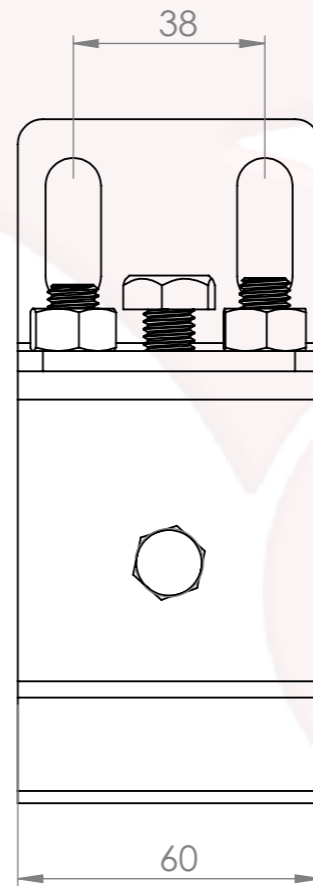
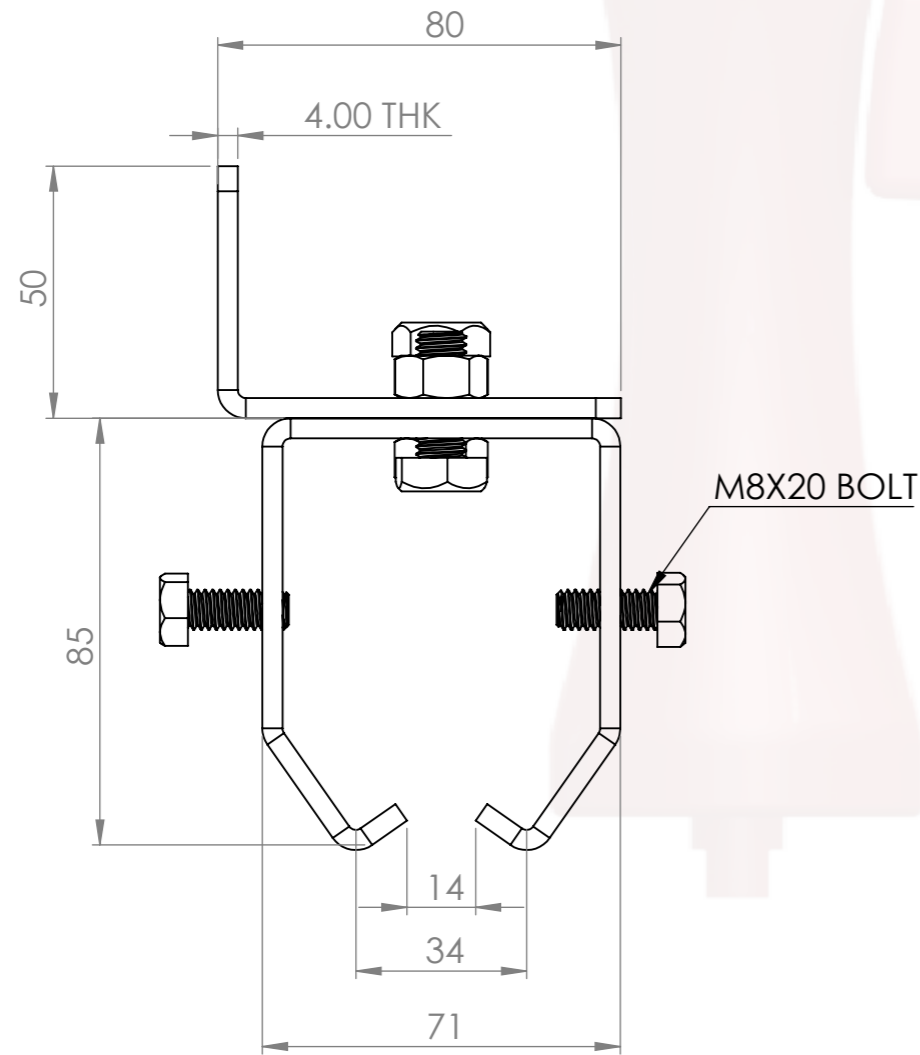
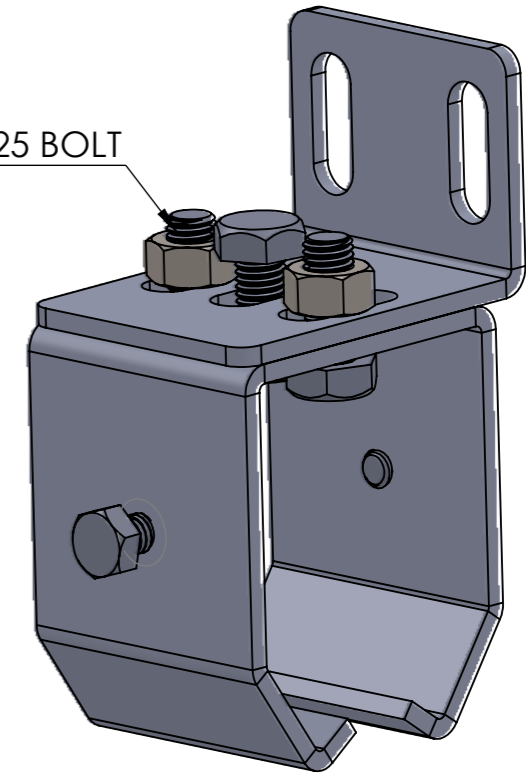


M10X25 BOLT



**PROPRIETARY AND CONFIDENTIAL**  
 THE INFORMATION CONTAINED IN THIS DRAWING  
 IS THE SOLE PROPERTY OF  
 Richmond Wheel & Castor Co.  
 ANY REPRODUCTION IN PART OR AS A WHOLE WITHOUT  
 THE WRITTEN PERMISSION OF  
 Richmond Wheel & Castor Co.  
 IS PROHIBITED.

	NAME	SIGNATURE	DATE
DRAWN	ANH	AN	31/05/2024
CHK'D	TOM	TM	31/05/2024
APPV'D	BREON	BW	31/05/2024
MFG	TOM	TM	31/05/2024
Q.A	TOM	TM	31/05/2024

UNLESS OTHERWISE SPECIFIED:  
 DIMENSIONS ARE IN MILLIMETERS  
 TOLERANCES TO 0.25MM

DEBUR AND  
 BREAK SHARP  
 EDGES



WEIGHT:

CUSTOMER APPROVAL:	NAME:
COMPANY:	SIGN:
SALES PERSON:	DATE:

TITLE:  
**RICHMOND WHEEL &  
 CASTOR CO.**

DWG NO. **GTR074** **A3**

T:\STANDARD PRODUCTS\GATE PRODUCTS\GTR074\  
 DO NOT SCALE DRAWING SHEET 1 OF 1