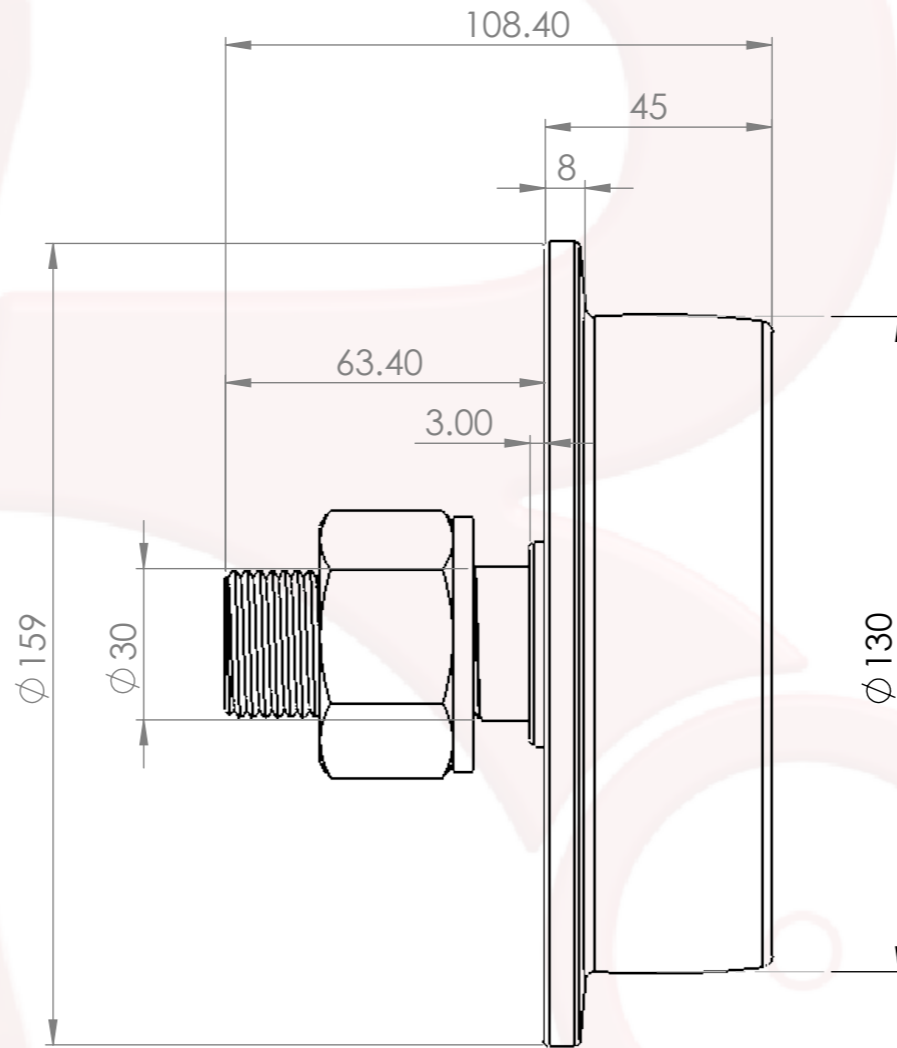
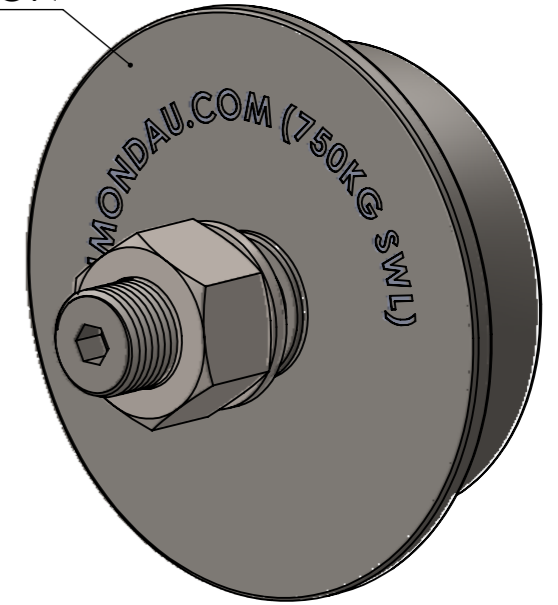




SG IRON



LOAD CAPACITY: 750KG

CUSTOMER APPROVAL:	NAME:
COMPANY:	SIGN:
SALES PERSON:	DATE:

TITLE:
RICHMOND WHEEL & CASTOR CO.

DWG NO. **BT130** A3

T:\STANDARD PRODUCTS\BEAM TROLLEY WHEELS\DESIGN\STANDARD\3D Drawings For Website\

DO NOT SCALE DRAWING SHEET 1 OF 1

PROPRIETARY AND CONFIDENTIAL
THE INFORMATION CONTAINED IN THIS DRAWING IS THE SOLE PROPERTY OF Richmond Wheel & Castor Co. ANY REPRODUCTION IN PART OR AS A WHOLE WITHOUT THE WRITTEN PERMISSION OF Richmond Wheel & Castor Co. IS PROHIBITED.

	NAME	SIGNATURE	DATE
DRAWN	ANH	AN	23/01/2025
CHK'D	TOM	TM	23/01/2025
APPV'D	BREON	BW	23/01/2025
MFG	TOM	TM	23/01/2025
Q.A	TOM	TM	23/01/2025

UNLESS OTHERWISE SPECIFIED:
DIMENSIONS ARE IN MILLIMETERS
TOLERANCES TO 0.25MM

DEBUR AND
BREAK SHARP
EDGES



WEIGHT: