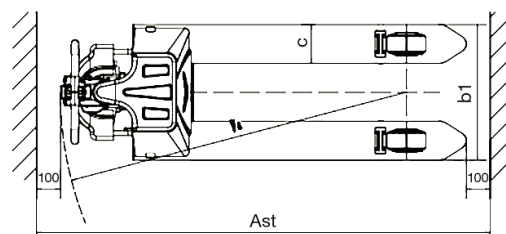
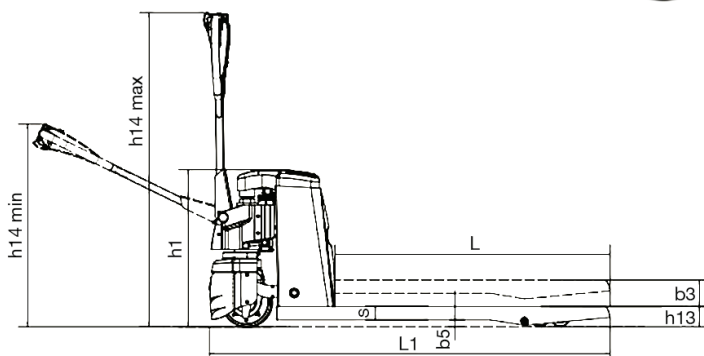


Full Electric Lithium Ion Pallet Jack



PJR122

- High strength streamlined body.
- Electric drive, lift, and lower.
- Equipped with an emergency reverse switch and emergency brake for added safety.
- Crawl / turtle safety mode.
- Quick-release battery removal.



Load Capacity	2000kg
Fork Lowered	(h13) 85mm
Lift Height	(h3) 115mm
Overall Length	(L1) 1670mm
Overall Width	560/685mm
Fork Dimensions	55/160/1150mm
Outside Fork Width	(b1) 560/685mm
Aisle Width, 1000 x 1200 pallet crossways	1920mm
Outer Turning Radius	1480mm
Drive Motor	24V 0.75kw
Lifting Motor	24V 0.5kw
Lithium Battery	24V 30Ah
Service Weight	150/155kg

